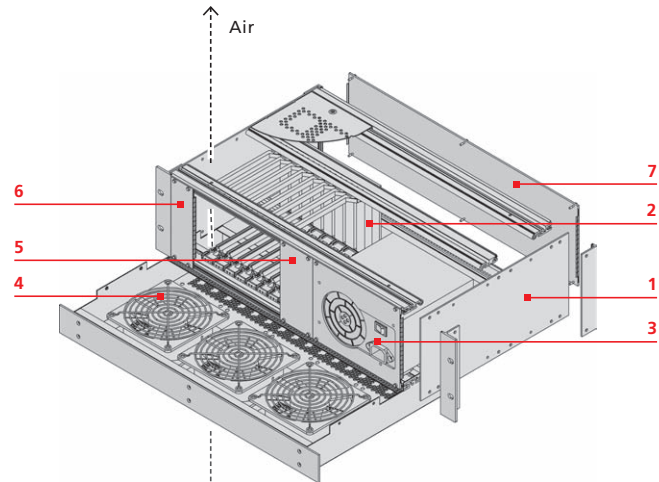


VPX system platform Basic

VPX Basic 4 U
84 HP
Depth 280 mm



Dimensions

B: 482.6 mm
H: 176.9 mm
D: 280.6 mm

Essential features at a glance

- 4 U/84 HP VME64x system platform
- card rack acc. to IEEE 1101.1, 1101.10/11 and IEC 60297-3-101, -102, -103
- VPX hybrid backplane: 8 slots (3 x VME64x, 5 x VPX)
- 300 W PS2 (ATX) power supply
- Cooled by 3 fans (air flow from bottom to top)
- Completely assembled and wired

- 1 1 x VME64x card rack: cover/bottom plate perforated, executed in aluminium, with IEEE guide rails and ESD clip mounted at the bottom,
- 2 1 x VPX backplane: 3 U, 8 slots (3 x VME64x, 5 x VPX), based on VITA 46.0, 46.1, 46.3, 46.4 and 46.7
- 3 1 x Industrial PS2 power supply unit 300 W with wide range input 90–264 V_{AC} (3.3 V/28 A, 5 V/35 A, 12 V/22 A, –12 V/1 A and min. load: 5 V/0.5 A, 12 V/1 A) with PFC, with fan and switch, with cable harness, incl. front panel 3 U/32 HP
- 4 3 x DC fans: 119 x 119 x 32 mm, 108 CFM, 42.5 dB(A)
- 5 1 x Blanking plate 3 U/12 HP *
- 6 1 x Blanking plate 3 U/8 HP *
- 7 1 x Blanking plate 3 U/84 HP *
* with EMC spring

Order number

LMH0000410

VPX systemplatform 8 slots
4 U/84 HP 300 W PSU