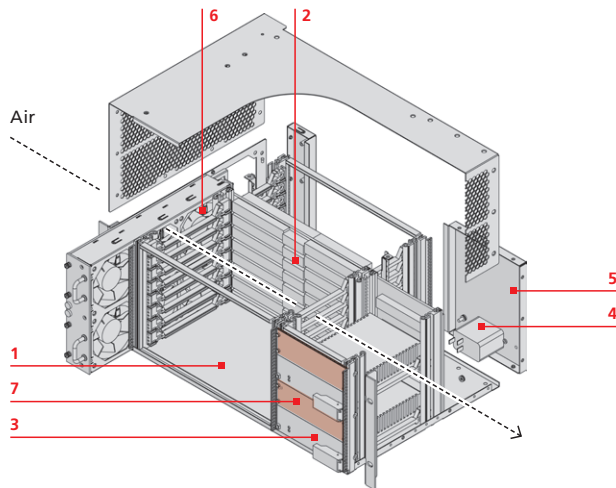
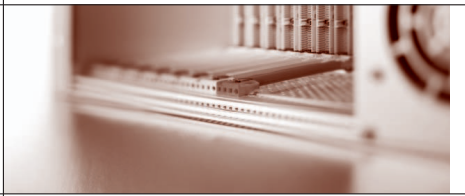


# VME64x Basic 4 U

## 84 HP with fan drawer

### Depth 283 mm



#### Dimensions

B: 482.6 mm  
H: 175.9 mm  
D: 283.1 mm

#### Essential features at a glance

- 4 U/84 HP VME64x system platform, for horizontal installation of 6 U cards
- Card rack acc. to IEEE 1101.1, 1101.10/11 and IEC 60297-3-101, -102, -103
- VME64x backplane: 8 slots
- 2 x 250 W CPCI power supplies
- Hotswap fan drawer with filter and LED indicator
- Incl. fan control and fan monitoring
- Voltage monitoring with reset generator and AC fail identification
- Cooled by 6 fans (air flow from left to right)
- Completely assembled and wired

- 1 1 x VME64x card rack: black coating outside (RAL9005), with IEEE guide rails and ESD clip mounted on the right side
- 2 1 x VME64x backplane: 6 + 3 U, 8 slots, with J0 connector, ADC (Automatic Daisy Chain), active termination, with 4 P47 connectors
- 3 2 x CompactPCI power supply unit 250 W with wide range input 90–264 V<sub>AC</sub> (3.3 V/33 A, 5 V/33 A, 12 V/5.5 A, –12 V/1 A) with PFC, with P47 connector, incl. 3 U/8 HP front panel
- 4 1 x Power supply connector with switch, fuse and filter
- 5 1 x Partial front panel 3 U/32HP with EMC spring on both sides, with cutout for power supply connector
- 6 1 x Hotswap fan drawer with 6 DC fans 80 x 80 x 25 mm, 36.4 CFM, 29 dB(A), with LED indicator for the DC fans, replaceable filters (class G1) included
- 7 2 x Blanking plate 3 U/8HP with EMC spring on both sides

#### Order number

LMH0000260

VME64x system platform 8 slots  
4 U/84 HP with fan drawer