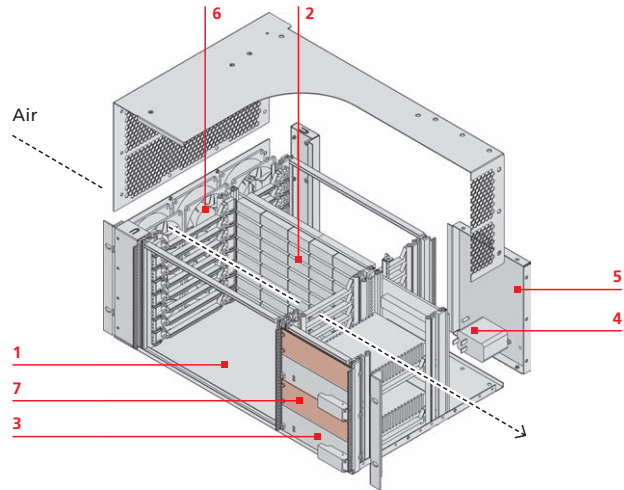


CompactPCI® 2.16 system platform Basic

CPCI 2.16 Basic 4 U
84 HP
Depth 280 mm



Dimensions

B: 482.6 mm
H: 175.9 mm
D: 280.6 mm

Essential features at a glance

- 4 U/84 HP CompactPCI 2.16-system platform with rear I/O, for horizontal installation of 6 U cards
- Card rack acc. to IEEE 1101.1, 1101.10/11 and IEC 60297-3-101, -102, -103
- CompactPCI 2.16 backplane: 8 slots, 3.3 V
- 2 x 250 W CPCI power supplies
- Cooled by 6 fans (air flow from left to right)
- Completely assembled and wired

- 1 1 x CompactPCI card rack: black coating outside (RAL9005), with IEEE guide rails and ESD clip mounted on the right side
- 2 1 x CompactPCI 2.16 PSB backplane: 6+3 U, 8 slot, 64-bit / 33 MHz, V(I/O) = 3.3 V, system slot on left side, with rear I/O, with 3 P47 connectors, acc. to PICMG 2.16 R. 1.0
- 3 2 x CompactPCI power supply unit 250 W with wide range input 90–264 V_{AC} (3.3 V/33 A, 5 V/33 A, 12 V/5.5 A, –12 V/1 A) with PFC, with P47 connector, incl. 3 U/8 HP front panel
- 4 1 x Power supply connector with switch, fuse and filter
- 5 1 x Partial front panel 3 U/32 HP with cutout for power supply connector, EMC spring
- 6 6 x DC fans: 80 x 80 x 25 mm, 36.4 CFM, 29 dB(A)
- 7 2 x Blanking plate 3 U/8 HP with EMC spring

Order number

LMH0000140

CPCI 2.16 system platform 8 slots
3.3 V 4 U/84 HP