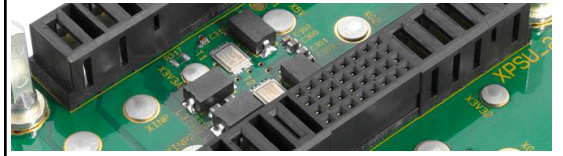


6U VPX Power BACKPLANE
2 Slot – AC Input Voltage

VITA 62



Key Features:

- Compliant to VITA 62 baseline specification
- 2 Slot J0 and J1 Connector
- Input Voltage 85-265VAC
- Max Input Current 2x 15A
- Max Output Power 2430W per slot
- M3 studs for VS1,VS2/12V (max. 140A), VS3/5V (max. 150A) and GND (max. 320A)
- PCB size 261.85mm x 90.07mm x 3.0 mm
- Fail, Reset and Sense signals
- Flexible keying and alignment mechanism
- Enable and Inhibit signals accesible
- System Management Interface on the backplane (I2CA, I2CB)
- Compatible to standard VPX 6U AC PSU, such as the Hartmann 1000W AC Power Supply part num. D575.01000
- Operating temperature: -40° - +85°C
- Storage temperature: -55°C - +85°C
- Flammability rating: UL94-V0
- Custom assembly or modification on request

Front side



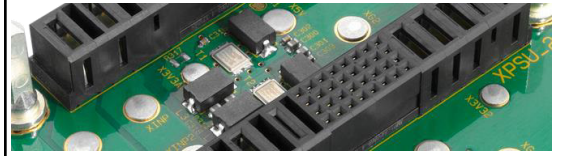
Back side



Order number: B1962AM220

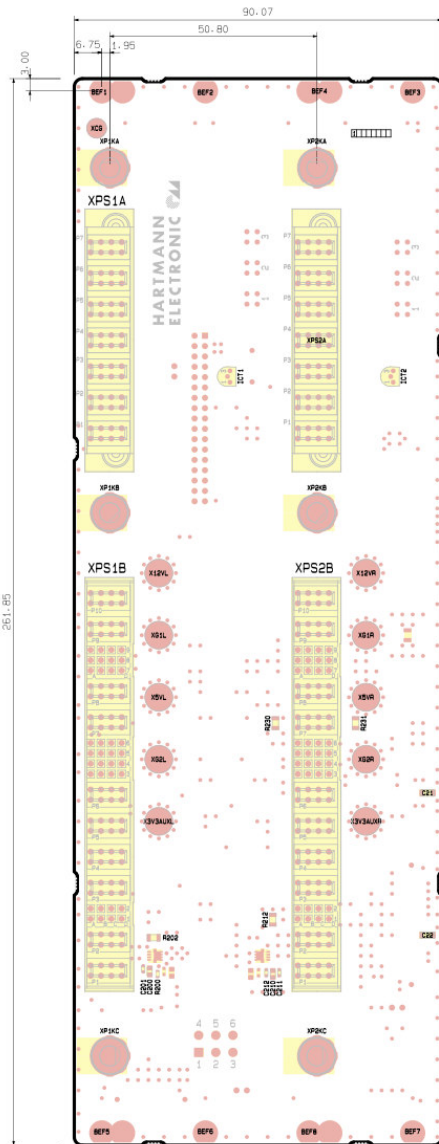
6U VPX Power BACKPLANE
2 Slot – AC Input Voltage

VITA 62

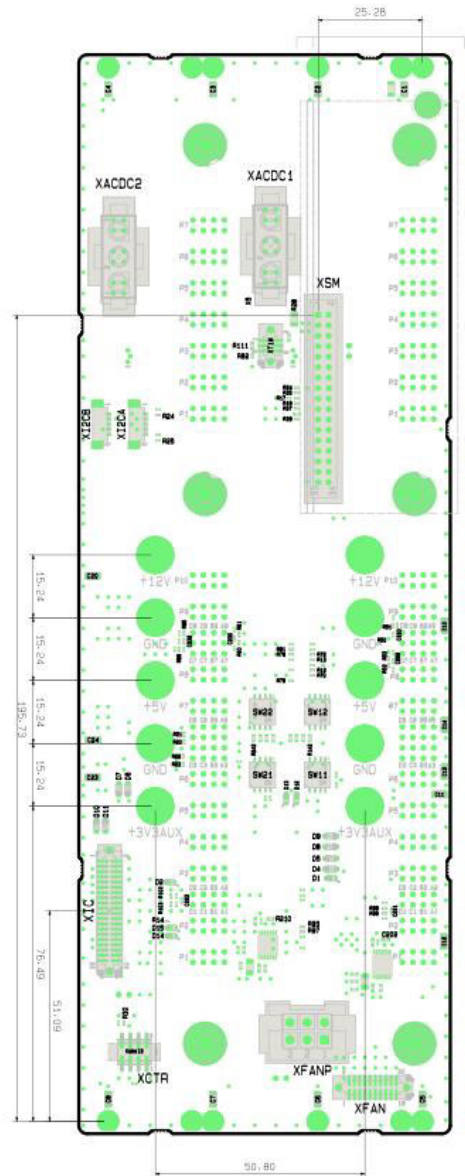


1) Drawings

Front side

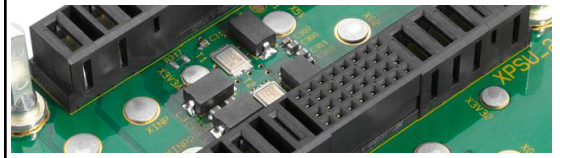


Back side



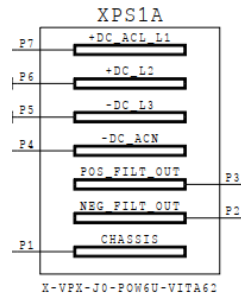
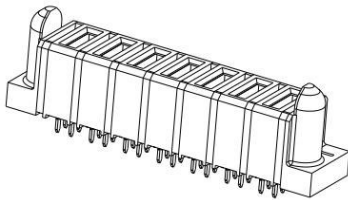
6U VPX Power BACKPLANE
2 Slot – AC Input Voltage

VITA 62

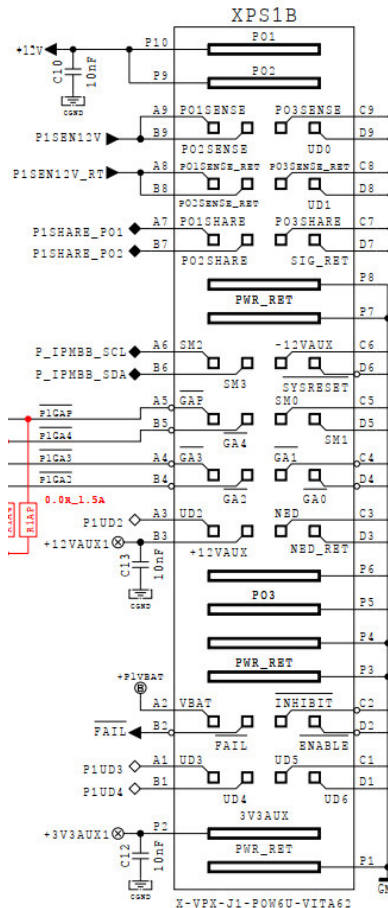
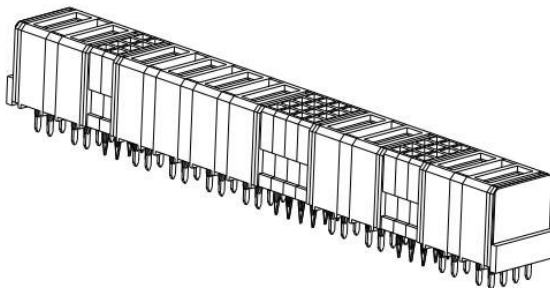


2) Power Connectors

J0 Power Connector (XPSU0)



J1 Power Connector (XPSU1)

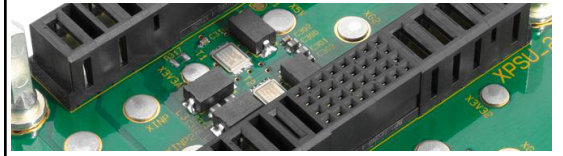


For 6U PSU Plug-In Modules according to VITA 62.0.

(R4, R5, R6, R7, R8, R9, is optional if sense lines cannot be connected)

6U VPX Power BACKPLANE
2 Slot – AC Input Voltage

VITA 62



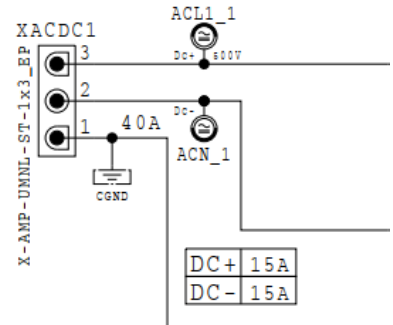
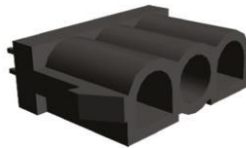
3) Power Input Connector (XIN)

2x 3 Pin Mate-N-Lok Connector for AC.

1: CASE GND

2, 3: Input voltage 85-265V (AC)

Connector Tyco 173925-1

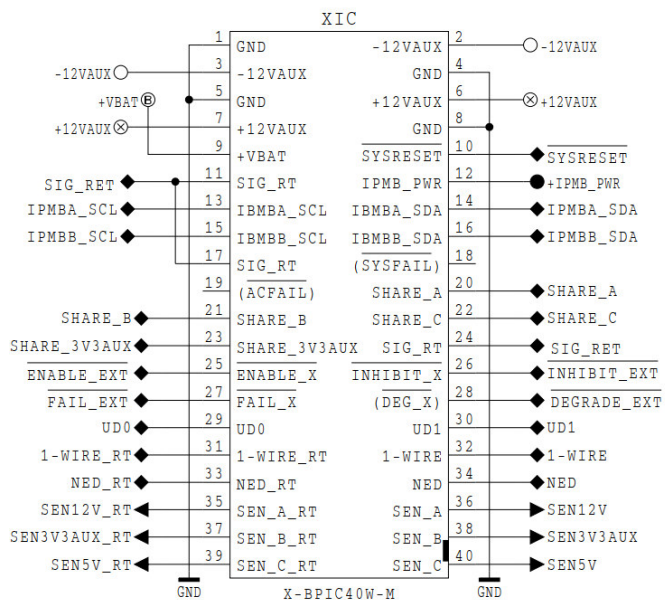
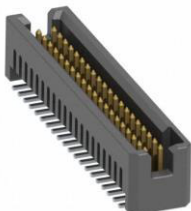


4) Current Capability:

- VS1, VS2: +12V 140 A
- VS3: +5V 150 A
- +3.3V AUX 70 A
- +/- 12V AUX 4 A

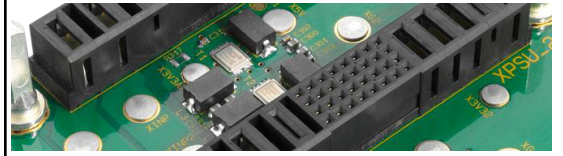
5) Control Signals (Connector XSIG)

Connector Samtec TFM-120-02-L-D-P



6U VPX Power BACKPLANE
2 Slot – AC Input Voltage

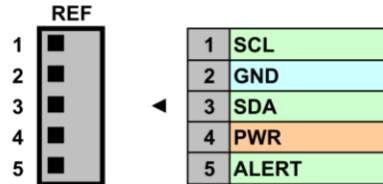
VITA 62



6) IMPB(A+B) I²C Connector

- 1,3: Serial clock and data, IPMBA (SM0,SM1) of VPX
- 4: IPMB-Power is connected at VPX-Backplane
- 5: Not available from PSU

Connector Molex 53398-0571

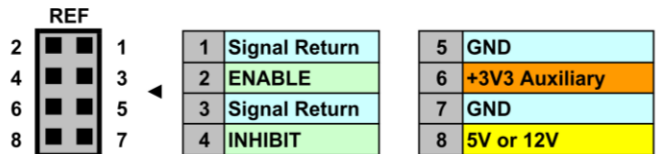


Mating with:
PicoBlade Cable
Assembly 15134

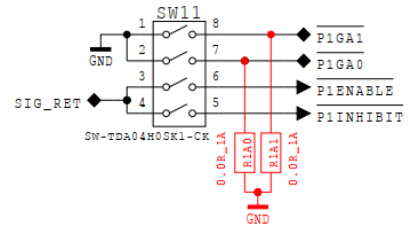
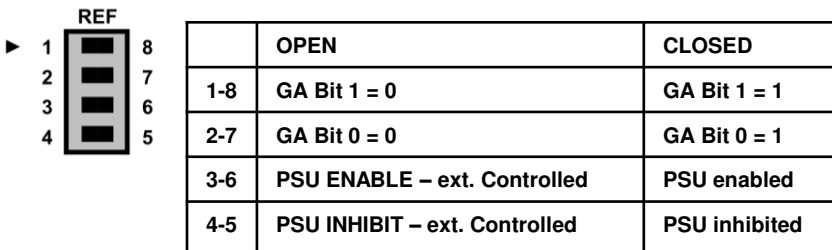
7) Connector for control of VPX Power Backplane (XCTR)

- 1,3: Return path for signals, grounded on VPX-Backplane
- 2: Enable PSU (in, L)
- 4: Inhibit PSU (in, L)

Connector FCI 95615-008LF



8) Switch SW11, SW12, SW21 and SW22



(RA0, RA1 resistors are optional for fixed geographic address)

Germany

Hartmann Electronic GmbH
Phone: +49 711 13 98 90
Fax: +49 711 8 66 11 91
vertrieb.he@kontron.com
www.hartmann-electronic.com

USA

Kontron
Fabian Hemmann
Phone: +1 937-324-2420
Mobile: +1 937 346 7878
fabian.hemmann@us.kontron.com
www.hartmann-electronic.com

France

Kontron Modular Computers S.A.S.
Serge Pichat
Phone: +33 (0)9 66 44 03 15
Mobile: +33 (0)6 82 62 16 00
Serge.pichat@kontron.com
www.hartmann-electronic.com

India

Hartmann Electronic GmbH
Vivek Deshpande
Phone: +1 91 20 66 74 51 23
Vivek.Deshpande@kontron.com
www.hartmann-electronic.com